

Location: _____



P9000-TI

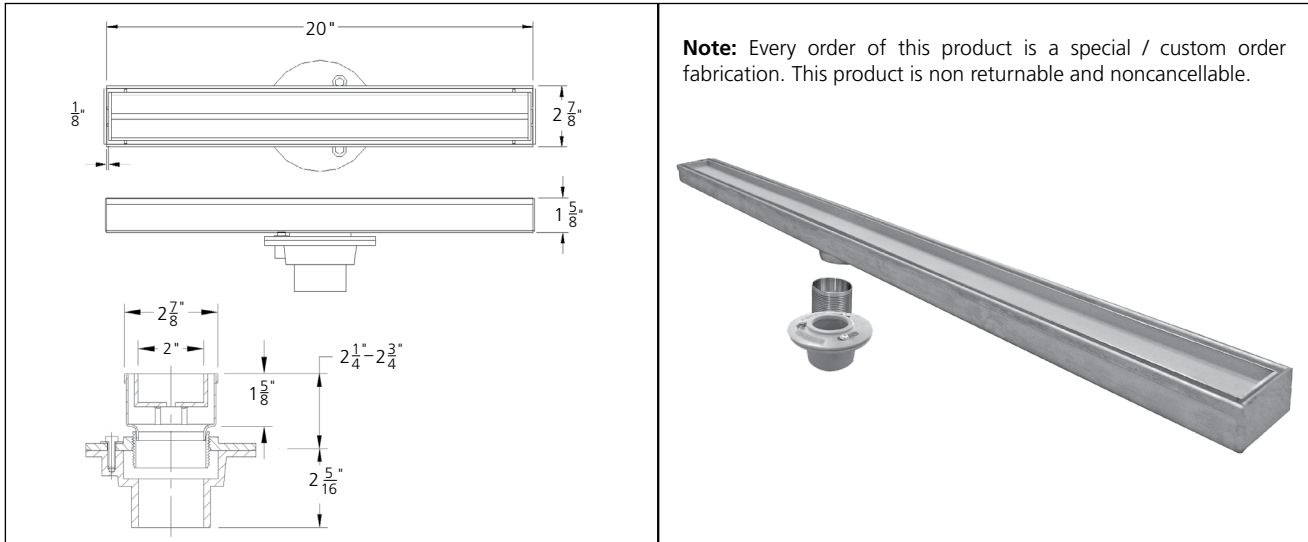
**2 7/8" Wide, Stainless Steel Linear Shower Drain
with Tile Insert and Flanged Bottom Outlet**

SPECIFICATION:

MIFAB® Series P9000-TI, 2 7/8" wide, 1 5/8" deep Type 304 (CF8) fabricated stainless steel linear shower drain. Complete with 2" cast iron no hub center outlet connection with anchor flange, membrane clamp and recessed tile insert frame.

FUNCTION:

Designed for installation in shower areas where a minimum of 2" (51) concrete pour is required. The drain can be adjusted upward to accommodate an additional 1" in height. The P9000-TI eliminates the need to slope the finished flooring in multiple directions. This allows the drainage of a larger floor surface area than typical shower drains. The floor can be pitched in one direction toward the linear shower drain. Type 304 construction provides anti-microbial resistance, durability and low maintenance. Recessed tile insert frame allows for tile to be inserted - to minimize the appearance of the drain.



Note: Every order of this product is a special / custom order fabrication. This product is non returnable and noncancellable.

MODEL NUMBER	DESCRIPTION
P9002-TI-24	2 7/8" wide, Type 304 Stainless Steel Linear Shower Drain, 24" long, tile insert
P9002-TI-32	2 7/8" wide, Type 304 Stainless Steel Linear Shower Drain, 32" long, tile insert
P9002-TI-36	2 7/8" wide, Type 304 Stainless Steel Linear Shower Drain, 36" long, tile insert
P9002-TI-42	2 7/8" wide, Type 304 Stainless Steel Linear Shower Drain, 42" long, tile insert
P9002-TI-48	2 7/8" wide, Type 304 Stainless Steel Linear Shower Drain, 48" long, tile insert
P9002-TI-60	2 7/8" wide, Type 304 Stainless Steel Linear Shower Drain, 60" long, tile insert

Note: All grates are Load Class "A", "Light Duty" Grates.

OPTIONAL VARIATIONS	DESCRIPTION
-5	Hair Strainer
-CSM	Custom tile insert design and body dimensions
-7MG	MI-GARD trap seal protection device (available for 1-1/2", 2", 3", 3-1/2", 4" and 6" outlet connections)
T	2" Threaded body outlet connection with anchor flange and membrane clamp

CALIFORNIA PROPOSITION 65 WARNING. This product contains chemicals known to the State of California to cause cancer and birth defects or other reproductive harm.

Job Name: _____ Page No: _____
 Section No: _____ Contract: _____
 Schedule No: _____ Purchase Order No: _____