

Location: _____



P3080

8" Round Stainless Steel Fabricated Floor Drain

SPECIFICATION:

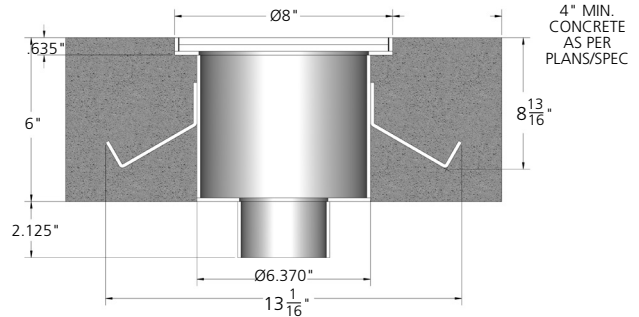
MIFAB® Series P3080, 8" round floor drain manufactured out of 16 gauge, Type 304 stainless steel with anchor tabs and slotted Load Class "A" Light duty stainless steel ADA compliant grate. Free area of 18 square inches. Bottom outlets are available in 2", 3" or 4" no hub outlet connections (specify outlet size) and fabricated as part of the floor drain. Also available with an optional anchor flange (Suffix -FL) and B, C, D or E load rated grates.

FUNCTION:

Used in industrial, commercial, kitchen and other hygienic areas. Type 304 stainless steel construction provides for ease of cleaning, maintenance and sanitary installation. All grate openings are polished to a smooth finish.



Note: Every order of this product is a special / custom order fabrication. This product is non returnable and noncancellable.



Specifying engineer is responsible for concrete encasement and reinforcing based upon application and local codes.

The P3080-LCB is NSF certified with a load classification of Medium Duty.

MODEL NUMBER	DESCRIPTION
P3080	8" Round, Type 304 Stainless Steel Fabricated Floor Drain, 16 Gauge Body (Load Class "A", "Light Duty", ADA compliant grate)
P3080-29	8" Round, Type 316 Stainless Steel Fabricated Floor Drain, 16 Gauge Body (Load Class "A", "Light Duty", ADA compliant grate)

OPTIONAL VARIATIONS	DESCRIPTION
-C	Membrane Clamp (Two pieces)
-F4-3	4" Round Stainless Steel Funnel
-FL	Anchor Flange
-G-3	4" x 9" Oval Stainless Steel Funnel
-LCB	Load Class "B", Medium Duty Grate (2,000 - 4,999 lbs.)
-LCC	Load Class "C", Heavy Duty Grate (5,000 - 7,499 lbs.)
-LCD	Load Class "D", Extra Heavy Duty Grate (7,500-10,000 lbs.)
-LCE	Load Class "E", Special Duty Grate (over 10,000 lbs.)
-NS	Slip Resistant Grate (Non slip grit finish)
P	Push on outlet
-PD	Solid cover with perimeter drainage slot
-PG	Perforated Grate (1/4" diameter holes)

-PHP	Perforated "Heel Proof Grate" (less than 1/4" diameter perforations)
-SGC	Solid, gasketed cover with removable pull ring
-SHP	Slotted "Heel Proof" Grate (less than 1/4" wide slots)
-SO	Put 2, 3, 4 or 6 in the last of the four digits of the model # to indicate the side outlet connection size and add suffix -SO. Eg. P2064-SO for a 4" side outlet.
T	Threaded outlet
X	Inside caulk outlet
-5	Sediment Bucket
-6	Vandal Resistant Grate
-7	Trap Seal Primer Tapping (1/2")
-7MG	MI-GARD trap seal protection device (available for 1-1/2", 2", 3", 3-1/2", 4" and 6" outlet connections)
-9	Hinged Grate
-21	Secondary Strainer (in outlet)

Note: No hub bottom outlet connections are standard. Specify 2, 3, 4 or 6 in the last of the four digit model number to indicate the bottom no hub outlet size. For the 6" bottom outlet size, please add \$75.00 for Type 304 and \$100.00 for Type 316 stainless steel. Eg. 4" no hub bottom outlet would be model # P3084.

CALIFORNIA PROPOSITION 65 WARNING. This product contains chemicals known to the State of California to cause cancer and birth defects or other reproductive harm.

Job Name: _____ Page No: _____
 Section No: _____ Contract: _____
 Schedule No: _____ Purchase Order No: _____