

Location: _____



MI-FVP

FLUSH VALVE PANEL

Specification: MIFAB® Series MI-FVP flush valve panel is designed for back supply toilets and urinals where the flush valve is built into the wall. This panel allows easy access to service the flush valve by maintenance personnel. The panel provides protection to the flush valve from vandalism.

Material: MI-FVP Series is 16 gage satin coat steel door and 16 gage satin coat steel frame. The MI-FVPSS Stainless Steel Series is 16 gage #304 stainless steel door and frame.

Finish: Steel doors have a primed white finish. Stainless steel doors have a #4 brush satin finish.

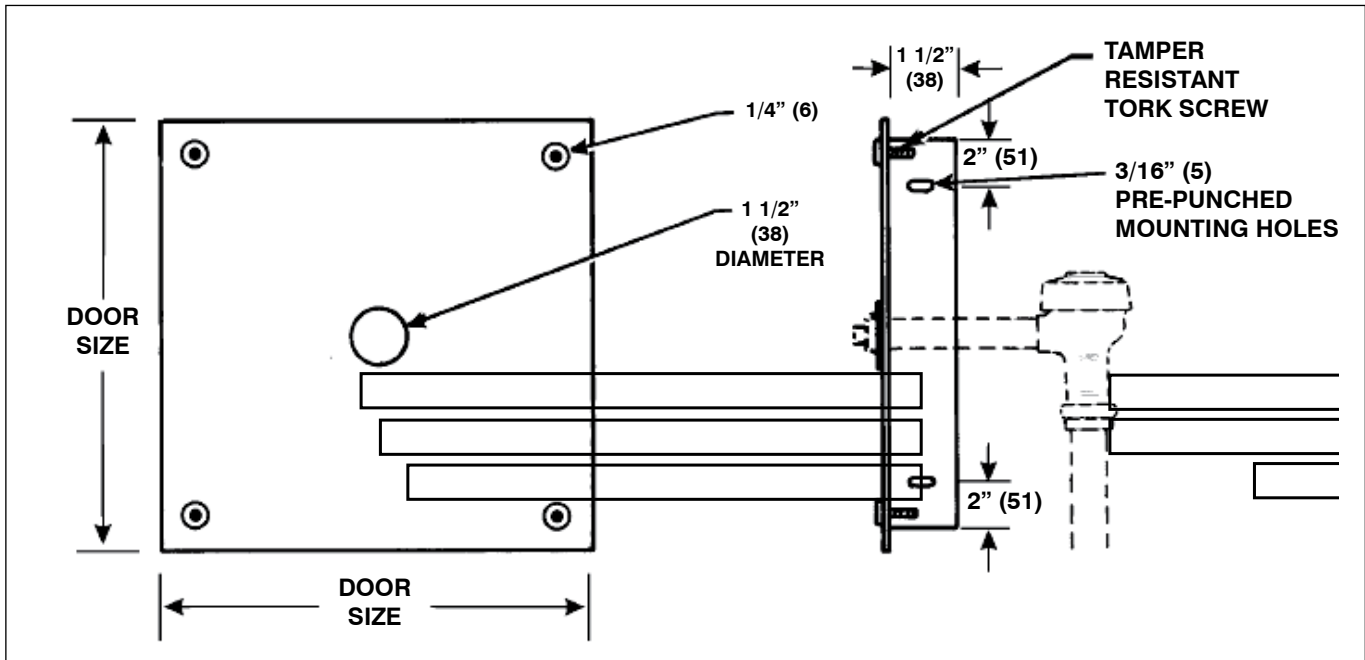
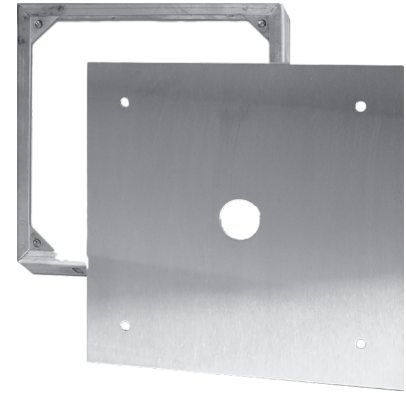
Door: Has a 1½" (38) diameter hole in the center of the panel for the flush valve pushbutton.

Optional - solid door with no hole in the middle - Suffix "-NH".

Frame: Two piece construction with 5/16" x 11/16" (8 x 17.5) OBL Slots for easy installation.

Latch: Four 1/4" (6) - 20 x 1" (25) tamper resistant stainless steel Torx screws.

Packaging: Individual pack.



"B" x "A"	WALL OPENING	SHIP WEIGHT (Lbs.)	LATCHES	MILD STEEL MODEL #	STAINLESS STEEL MODEL #
MI-FVP-1	12" x 12"	10 1/2" x 10 1/2"	6.0	MI-FVP1212	MI-FVPSS1212
MI-FVP-2	13" x 17"	11 1/2" x 15 1/2"	7.0	MI-FVP1317	MI-FVPSS1317

SUFFIX	OPTIONAL VARIATIONS
-BA	Buy American Act compliant product
-PA	Pennsylvania Steel Act compliant product

(Dimension) Denotes Millimetres

NOTE: The hinge is always furnished on the "A" or height (longer) dimension, unless otherwise specified.

CALIFORNIA PROPOSITION 65 WARNING. This product contains chemicals known to the State of California to cause cancer and birth defects or other reproductive harm.

Job Name: _____ Page No: _____
 Section No: _____ Contractor: _____
 Schedule No: _____ Purchase Order No: _____