

Location: _____



MI-FLEX

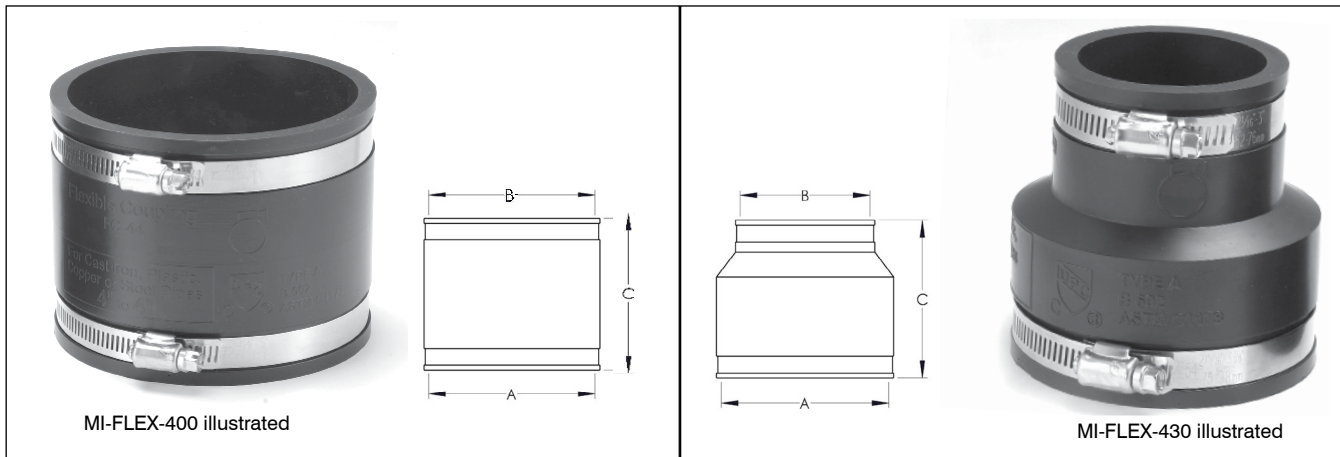
FLEXIBLE COUPLINGS

Specification: MIFAB® Series MI-FLEX (specify size) of flexible rubber couplings are manufactured from an elastomeric compound that meets the requirements of ASTM C-564 and 300 Series of stainless steel clamps tightened with 5/16" Type 300 stainless steel hex head screws. MI-FLEX Series of flexible couplings are tested and certified to ASTM Standard 1173-2010 and CSA Standard B602-2010 and listed with I.A.P.M.O.

Function: MI-FLEX Series of flexible rubber couplings are used to connect cast iron, plastic, steel or lead pipe to cast iron, plastic, steel or lead pipe. Tighten bolts to 60 inch lbs. min. / max torque. Tested to maintain 4.3 p.s.i. maximum line pressure (10' head pressure). Non constant temperature rating is 140 F.

Material Specifications:

- Bands** – Type 300 AISI stainless steel (Minimum tensile 165,000 psi).
- Gasket** – Elastomeric compound that meets the requirements of ASTM C-564.
- Screw Housing** – Type 300 AISI stainless steel.
- Screw** – Type 300 AISI stainless steel, 5/16" Hex head / Shoulder.



MODEL NUMBER	PIPE SIZE	A		B		C HEIGHT
		MIN	MAX	MIN	MAX	
MI-FLEX-125	1 1/2" Tubing / Copper or 1 1/4" PL / ST / LD x 1 1/4" PL / ST / LD Flex coupling	1.42" (36)	1.69" (43)	1.42" (36)	1.69" (43)	3.50" (89)
MI-FLEX-15125	1 1/2" CI / PL / ST / LD x 1 1/2" Tubing, Copper or 1 1/4" PL / ST / LD Flex coupling	1.73" (44)	1.97" (50)	1.34" (34)	1.69" (43)	3.50" (89)
MI-FLEX-150	1 1/2" CI / PL / ST / LD x 1 1/2" CI / PL / ST / LD Flex coupling	1.73" (44)	2" (52)	1.73" (44)	2" (52)	3.50" (89)
MI-FLEX-200	2" CI / PL / ST / LD x 2" CI / PL / ST / LD Flex coupling	2.20" (56)	2.50" (64)	2.20" (56)	2.50" (64)	3.50" (89)
MI-FLEX-215	2" CI / PL / ST / LD x 1 1/2" CI / PL / ST / LD Flex coupling	2.13" (54)	2.50" (64)	1.70" (43)	1.97" (50)	3.50" (89)
MI-FLEX-300	3" CI / PL / ST / LD x 3" CI / PL / ST / LD Flex coupling	2.60" (66)	3.18" (81)	2.60" (66)	3.18" (81)	2.75" (70)
MI-FLEX-320	3" CI / PL / ST / LD x 2" CI / PL / ST / LD Flex coupling	2.60" (66)	3.18" (81)	2.20" (56)	2.50" (64)	2.75" (70)
MI-FLEX-400	4" CI / PL / ST / LD x 4" CI / PL / ST / LD Flex coupling	4.02" (102)	4.65" (118)	4.02" (102)	4.65" (118)	4" (102)
MI-FLEX-415	4" CI / PL / ST / LD x 1 1/2" CI / PL / ST / LD Flex coupling	4.02" (102)	4.50" (114)	1.73" (44)	1.97" (50)	4" (102)
MI-FLEX-420	4" CI / PL / ST / LD x 2" CI / PL / ST / LD Flex coupling	4.02" (102)	4.50" (114)	2.20" (56)	2.50" (64)	4" (102)
MI-FLEX-430	4" CI / PL / ST / LD x 3" CI / PL / ST / LD Flex coupling	4.02" (102)	4.50" (114)	2.60" (66)	3.18" (81)	4" (102)
MI-FLEX-500	5" CI / PL / ST / LD x 5" CI / PL / ST / LD Flex coupling	5.20" (132)	5.70" (145)	5.20" (132)	5.70" (145)	4" (102)
MI-FLEX-540	5" CI / PL / ST / LD x 4" CI / PL / ST / LD Flex coupling	5.25" (133)	5.66" (144)	3.87" (98)	4.33" (110)	4" (102)
MI-FLEX-600	6" CI / PL / ST / LD x 6" CI / PL / ST / LD Flex coupling	6.30" (160)	6.69" (170)	6.30" (160)	6.69" (170)	6" (152)
MI-FLEX-640	6" CI / PL / ST / LD x 4" CI / PL / ST / LD Flex coupling	6.29" (160)	6.75" (171)	4.08" (104)	4.55" (116)	5.75" (146)
MI-FLEX-650	6" CI / PL / ST / LD x 5" CI / PL / ST / LD Flex coupling	5.97" (152)	6.54" (166)	5.15" (131)	5.65" (144)	5.75" (146)
MI-FLEX-800	8" CI / PL / ST / LD x 8" CI / PL / ST / LD Flex coupling	8" (203)	8.74" (222)	8" (203)	8.74" (222)	6" (152)
MI-FLEX-840	8" CI / PL / ST / LD x 4" CI / PL / ST / LD Flex coupling	8" (203)	8.74" (222)	4.02" (102)	4.65" (118)	6" (152)
MI-FLEX-860	8" CI / PL / ST / LD x 6" CI / PL / ST / LD Flex coupling	8.05" (204)	8.60" (218)	5.85" (149)	6.38" (162)	6" (152)
MI-FLEX-1000	10" CI / PL / ST / LD x 10" CI / PL / ST / LD Flex coupling	10.10" (257)	10.78" (274)	10.24" (260)	10.78" (274)	6" (152)
MI-FLEX-1008	10" CI / PL / ST / LD x 8" CI / PL / ST / LD Flex coupling	9.60" (244)	10.40" (264)	7.75" (197)	8.56" (217)	6" (152)
MI-FLEX-1200	12" CI / PL / ST / LD x 12" CI / PL / ST / LD Flex coupling	12.05" (306)	12.65" (321)	12.05" (306)	12.65" (321)	6" (152)

CALIFORNIA PROPOSITION 65 WARNING. This product contains chemicals known to the State of California to cause cancer and birth defects or other reproductive harm.

Job Name: _____ Page No: _____
 Section No: _____ Contractor: _____
 Schedule No: _____ Purchase Order No: _____

MIFAB reserves the right to make changes in material and design without formal notice and obligation.

USA: 1-800-465-2736 www.mifab.com CAN: 1-800-387-3880