

Location: _____

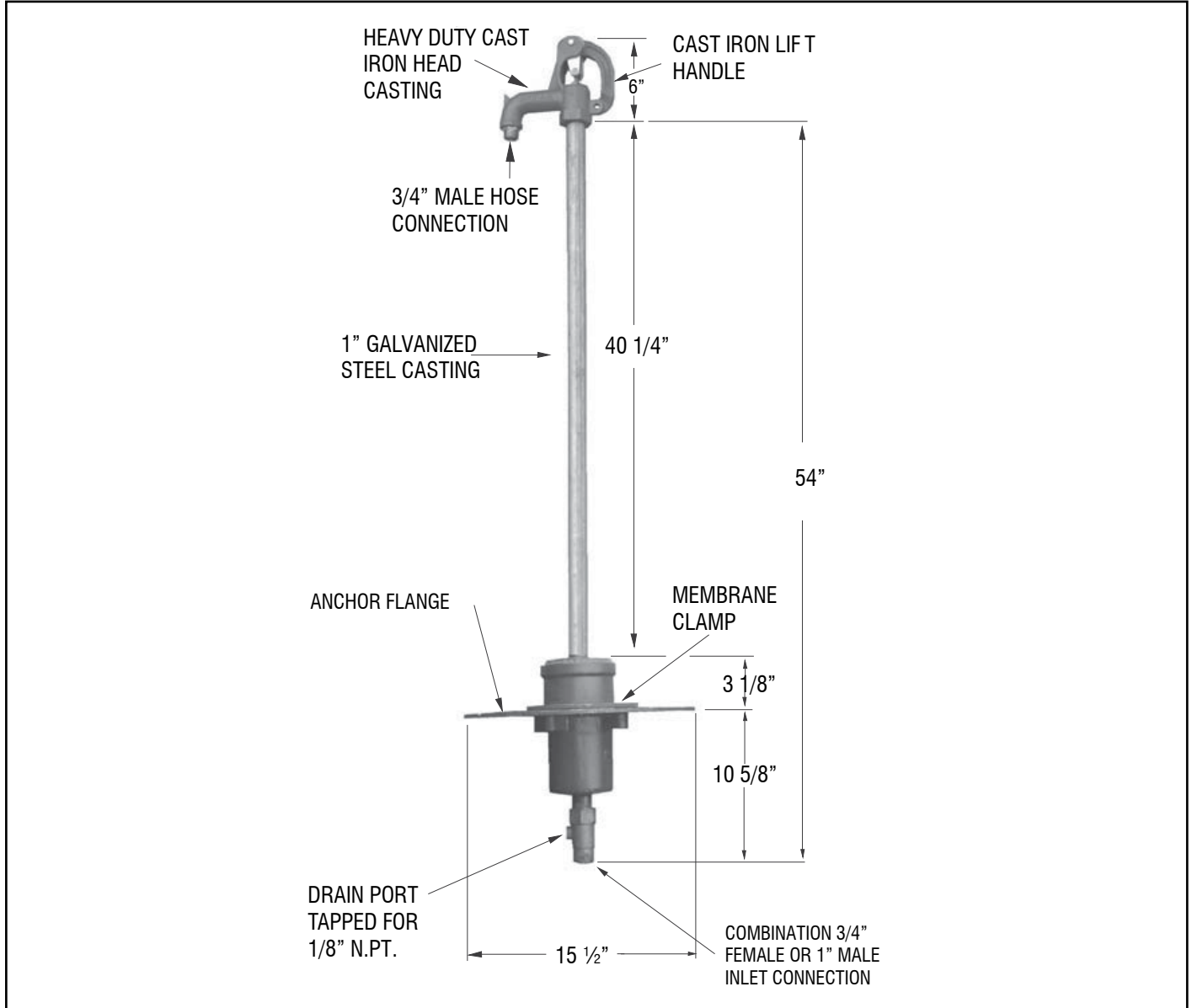


MHY-58

ROOF HYDRANT

Specification: MIFAB® Series MHY-58 self draining, non-freeze, roof hydrant with 3/4" male hose connection with heavy duty cast iron head casting and lift handle with lock feature and combination 3/4" (19) female and 1" (25) male inlet connection. Hydrant assembly complete with one piece neoprene plunger, hardened bronze operating stem, 1" (25) galvanized steel casing, heavy duty bronze head casting with head nut assembly, 3/8" (9) diameter galvanized steel operating rod and a tapped 1/8" (3) drain port in the bronze tailpiece.

Function: Used on roof applications where a water source is needed.



SUFFIX OPTIONAL VARIATIONS

- BA Buy American Act compliant product
- PA Pennsylvania Steel Act compliant product

SUFFIX OPTIONAL VARIATIONS

- 0 1" (25) Hose connection
- 8 3/4" Adapter Vacuum Breaker
- 42 Decorative casing guard

CALIFORNIA PROPOSITION 65 WARNING. This product contains chemicals known to the State of California to cause cancer and birth defects or other reproductive harm.

Job Name: _____

Page No: _____

Section No: _____

Contractor: _____

Schedule No: _____

Purchase Order No: _____