

Location: \_\_\_\_\_

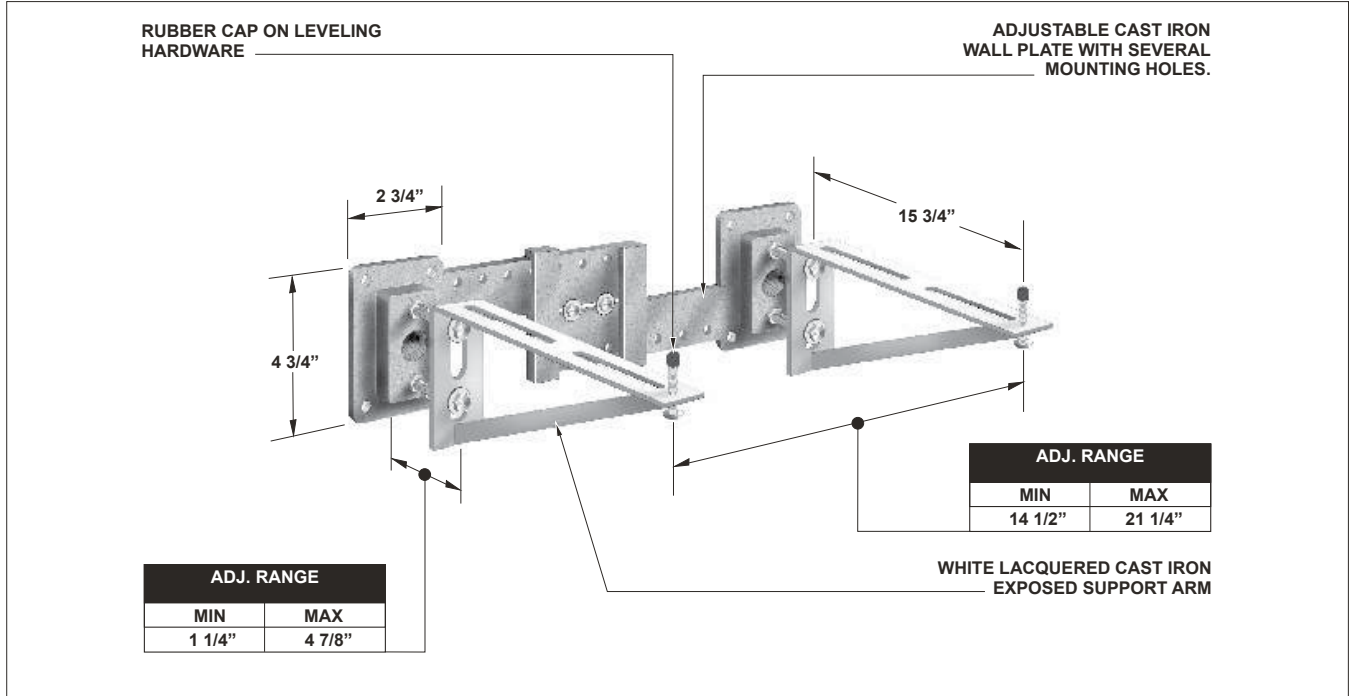


**MC-56**

**WALL MOUNTED LAVATORY SUPPORT WITH EXPOSED ARMS**

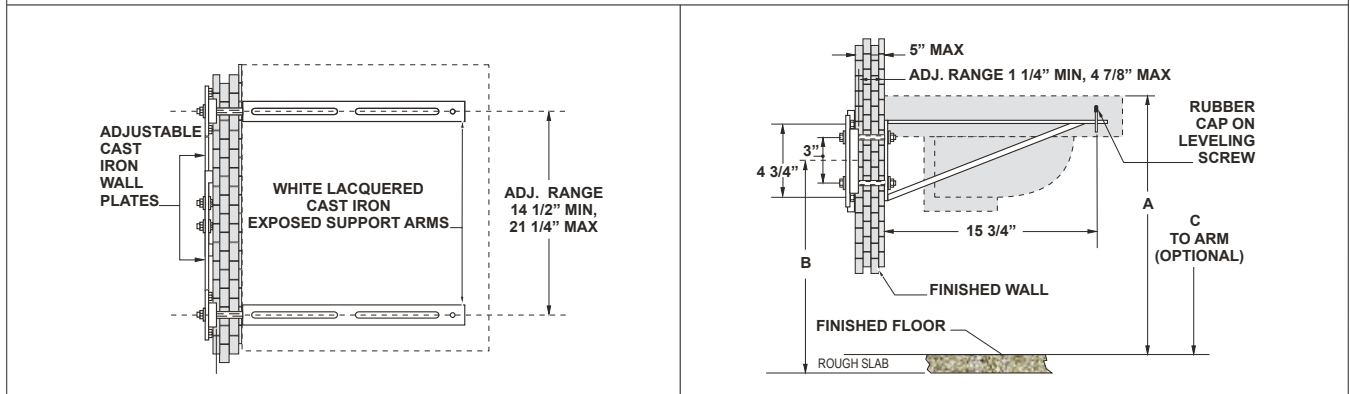
**Specification:** MIFAB® Series MC-56 wall mounted exposed arm lavatory carrier with white, lacquered, adjustable, cast iron exposed support arms. Complete with lacquered cast iron adjustable wall plate with mounting studs and fixture leveling hardware.

**Function:** Used to secure wall-hung lavatories to the wall in areas where a floor mounted carrier cannot be installed. The wall structure must be strong enough to bear the weight of the fixture. Heavy duty exposed cast iron supports provide extra support for the fixture.



MC-56 Series Meets ANSI/ASME fixture carrier standard A112.6.1M-97

Note: Wall supported fixture mounting plates must be securely affixed (with suitable hardware by others) to a wall fully capable of bearing the weight of the plate and fixture.



SUFFIX	OPTIONAL VARIATIONS
-A	Stud length over 6" (specify)
-BA	Minimum 51% material cost made in the USA
-F	Bar support valve plate
-PA	Pennsylvania Steel Act compliant product
-14	Vandal proof finish trim

CALIFORNIA PROPOSITION 65 WARNING. This product contains chemicals known to the State of California to cause cancer and birth defects or other reproductive harm.

Job Name: \_\_\_\_\_ Page No: \_\_\_\_\_  
 Section No: \_\_\_\_\_ Contractor: \_\_\_\_\_  
 Schedule No: \_\_\_\_\_ Purchase Order No: \_\_\_\_\_

MIFAB® reserves the right to make changes in material and design without formal notice and obligation.

USA: 1-800-465-2736 www.mifab.com CAN: 1-800-387-3880