

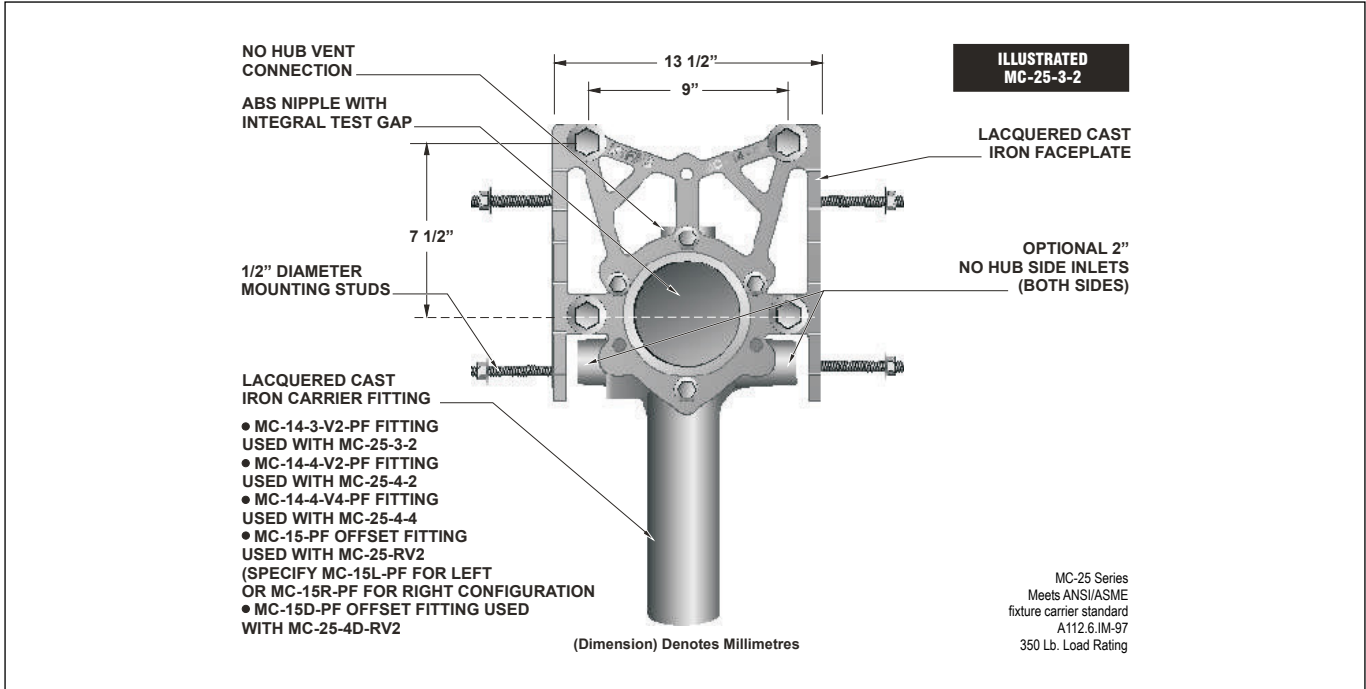


MC-25

**RESIDENTIAL WATER
CLOSET CARRIER WITH FITTING**

Specification: MIFAB® Series MC-25 residential water closet carrier system with lacquered cast iron no hub fitting (specify size and style), lacquered cast iron faceplate, mounting hardware, adjustable 8" tapered thread ABS nipple with integral test cap, neoprene bowl gasket and polished chrome plated finishing cap nuts.

Function: Used as a water closet carrier for floor mounted plumbing fixtures in stud wall construction. The closet carrier is complete with a vertical waste fitting and is completely concealed within the wall. The side mounting hardware bolts to the stud walls framing the carrier.



MODEL NUMBER CHART

MC-25-3-2	3" no hub single, fixed vertical carrier with 2" vent connection.
MC-25-4-2	4" no hub single, fixed vertical carrier with 2" vent connection.
MC-25-4-4	4" no hub single, fixed vertical carrier with 4" vent connection.
MC-25-RV2	4" no hub single, fixed offset carrier with 2" vent connection.
MC-25-4D-RV2	4" no hub back to back, fixed offset carrier with 2" vent connection.

Note: For depth of MC-25 Series see MC-14 or MC-15

SUFFIX	OPTIONAL VARIATIONS
-AH8	8" ABS nipple with adjustable horn
-AH12	12" ABS nipple with adjustable horn
-BA	Buy American Act compliant product
-CI-4	4" rolling thread cast iron nipple
-CI-6	6" rolling thread cast iron nipple
-CI-8	8" rolling thread cast iron nipple
-CI-12	12" rolling thread cast iron nipple
-CI-24	24" rolling thread cast iron nipple
-HD	Heavy duty 500 lb. load rated carrier
-HDX	Extra heavy duty 1,000 lb. load rated carrier
-HD-750	Heavy duty 750 lb. load rated carrier
N	4" no hub waste connection (with MI-850-4)

-PA	Pennsylvania Steel Act compliant product
-PFAB	Prefabricated carrier
T	4" F.I.P. threaded waste connection
-V2	2" no hub vent connection
-V4	4" no hub vent connection
-1	Finishing / Tiling frame
-10	Auxiliary support, recommended with nipple lengths over 12"
-12	12" tapered thread ABS nipple
-13	Galvanized cast iron
-14	Vandal proof finish trim
-17	Test plug for custom and cast iron nipples
-19	Nipple wrench
-20	Flush valve support

CALIFORNIA PROPOSITION 65 WARNING. This product contains chemicals known to the State of California to cause cancer and birth defects or other reproductive harm.

Job Name: _____ Page No: _____

Section No: _____ Contractor: _____

Schedule No: _____ Purchase Order No: _____