

Location: \_\_\_\_\_

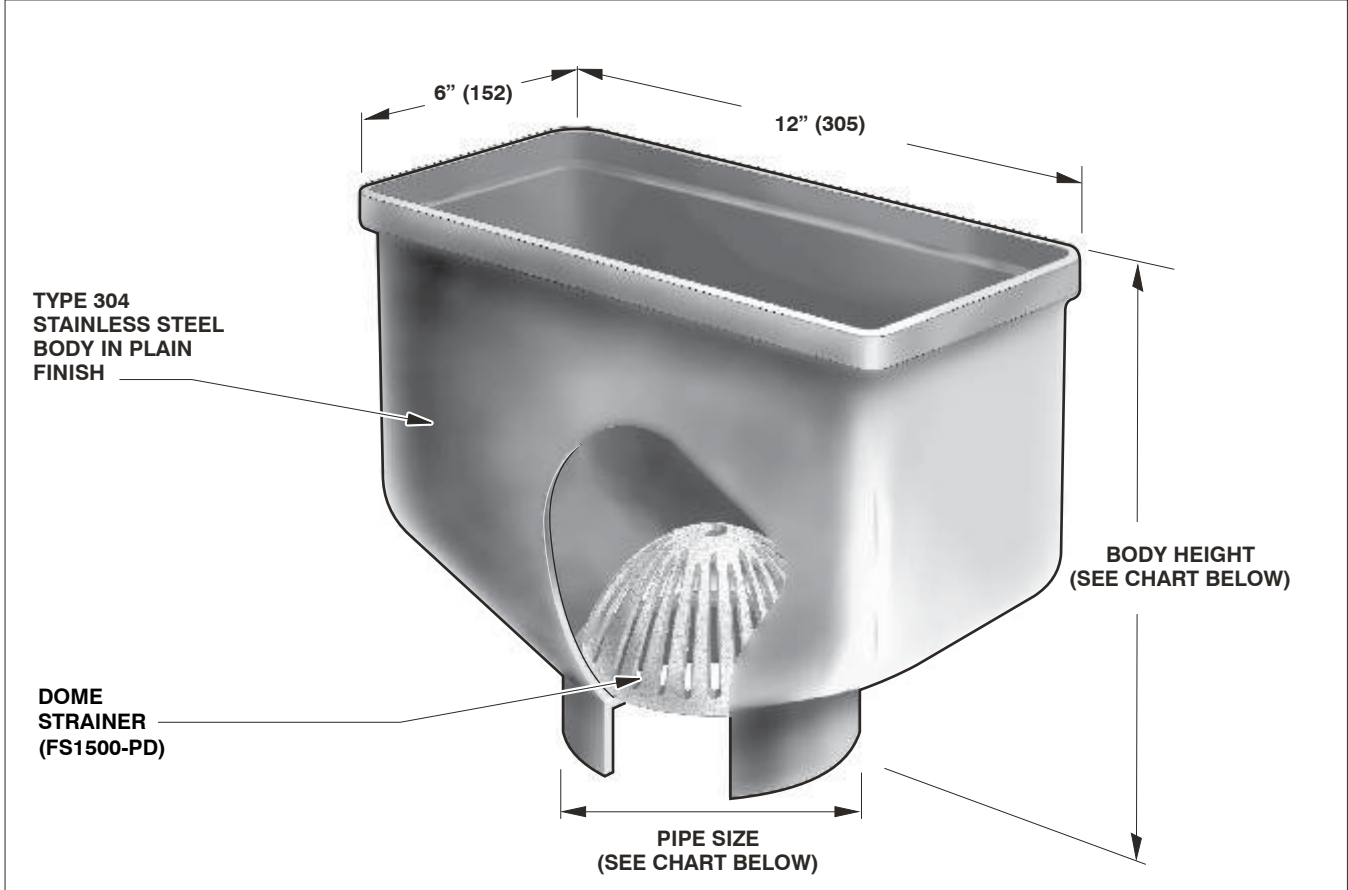


**F1890**

**4" X 8" OPEN SIGHT DRIP DRAIN**

**Specification:** MIFAB® Series F1880 6" x 12" open sight drip drain with Type 304 stainless steel body in plain finish and aluminum bottom dome strainer.

**Function:** Used in areas that are not traffic prone to provide indirect waste drainage. The rectangular shape facilitates installation with the long dimension against the wall.



PIPE SIZE	BODY HEIGHT		
	NO HUB (STANDARD)	THREADED (T)	INSIDE CAULK (X)
2" (51)	10" (254)	9 1/2" (241)	10" (254)
3" (76)	10" (254)	9 7/8" (251)	10" (254)
4" (102)	10" (254)	9 7/8" (251)	10" (254)

SUFFIX	OPTIONAL VARIATIONS
-21	Secondary flat stainless steel strainer (2", 3", 4")
-34	Closure plug
-34B	Bronze closure plug
-BA	Buy American Act compliant product
-FL	Anchor flange

SUFFIX	OPTIONAL VARIATIONS
-FLC	Anchor flange and membrane clamp
(Standard)	No hub outlet
-MG	MI-GARD Floor Drain Trap Sealer (2", 3" or 4")
-PA	Pennsylvania Steel Act compliant product
T	Threaded outlet (2", 3", 4")
X	Inside caulk outlet

Job Name: \_\_\_\_\_ Page No: \_\_\_\_\_  
 Section No: \_\_\_\_\_ Contractor: \_\_\_\_\_  
 Schedule No: \_\_\_\_\_ Purchase Order No: \_\_\_\_\_