

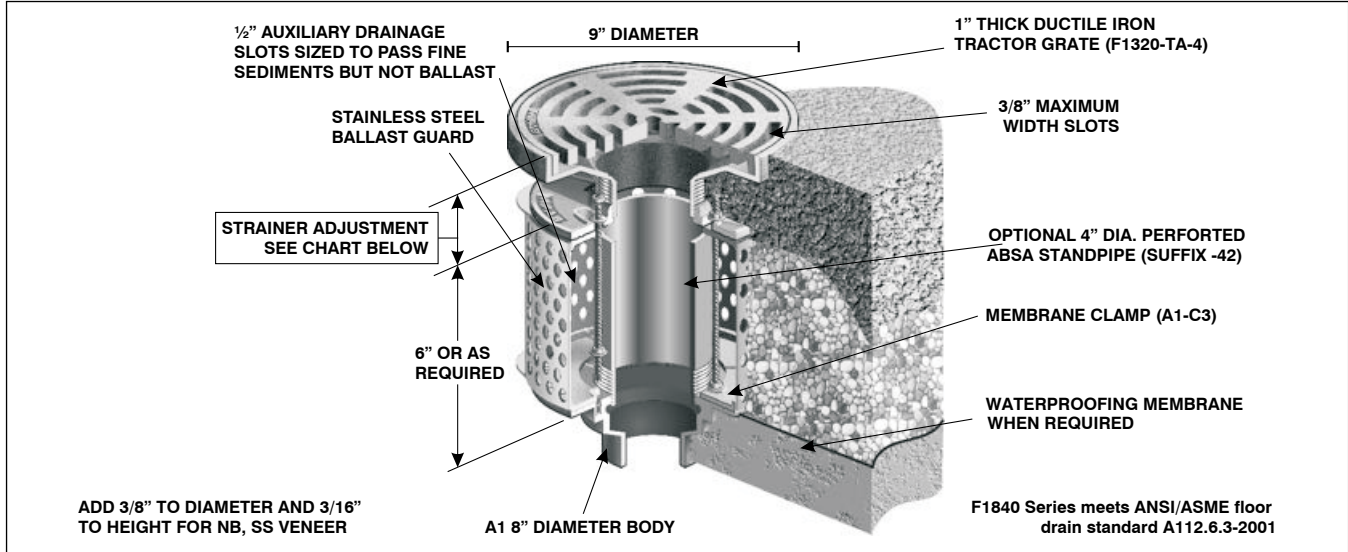
Location: _____



PLANTING AREA DRAIN W/9" ADJUSTABLE TRACTOR GRATE W/STAINLESS STEEL BALLAST GUARD

Specification: MIFAB® Series F1840 lacquered cast iron planting area drain with anchor flange, cast iron membrane clamp ring with primary and secondary weepholes for waterproofing membrane, stainless steel ballast guard, and standard 1" (25) thick, 9" (229) round, (specify material finish) tractor grate.

Function: Used in areas such as flower boxes and others where water is required to drain through the soil surrounding the drain. Perforated standpipe allows for sub surface drainage of water. The stainless steel ballast guard prevents fines from entering the drain line. 9" round, adjustable tractor grate is set at ground level and permits the drainage of excess surface water. Membrane clamp is provided to secure the waterproofing membrane.



| STRAINER DIAMETER | STRAINER ADJUSTMENT | | ANSI/ASME RATING | | PIPE SIZE | BODY HEIGHT | | | | |
|-------------------|---------------------|-------------|---|---|-----------|-------------------|--------------|--------------|------------------|---------------------|
| | MIN | MAX | FREE AREA | LOAD RATING | | NO HUB (STANDARD) | PUSH ON (P) | THREADED (T) | INSIDE CAULK (X) | PVC/ABS (-30)/(-31) |
| | | | | N.B. (-1) / S.S. (-3) / D.I. (-4) | | | | | | |
| 9" (229) | 1 3/4" (44) | 2 5/8" (67) | 26 in ² (26,800 ²) | ANSI/ASME OAD CLASS "SPECIAL DUTY" (OVER 10,000 LBS.) | 2" (51) | 3" (76) | 3 3/8" (86) | 2 1/4" (57) | 3 3/4" (95) | 2 15/16" (75) |
| | | | | | 3" (76) | 3" (76) | 3 3/8" (86) | 2 5/8" (67) | 3 3/4" (95) | 3 3/4" (95) |
| | | | | | 4" (102) | 3" (76) | 3 3/8" (86) | 2 5/8" (67) | 3 3/4" (95) | 3 3/4" (95) |
| | | | | | 5" (127) | 3" (76) | -- | 2 5/8" (67) | 3 3/4" (95) | -- |
| | | | | | 6" (152) | 3 1/4" (83) | 6 1/2" (165) | -- | -- | -- |

| SUFFIX | OPTIONAL VARIATIONS |
|--------|-----------------------------------|
| -1 | Nickel bronze strainer (vener) |
| -3 | Stainless steel strainer (vener) |
| -4 | Ductile iron strainer |
| -5 | Sediment bucket |
| -6 | Security screws (T-20 Torx & pin) |
| -7 | 1/2" trap seal primer connection |
| -8 | Backwater valve (2", 3", 4") |
| -11 | Acid resistant epoxy coated body |
| -12 | Galvanized top assembly |
| -13 | Galvanized body |
| -15 | Extension |
| -16 | Square top |
| -28 | Stainless steel body (Type 304) |
| -30 | PVC socket connection body |
| -31 | ABS socket connection body |
| -34 | Closure plug |
| -40 | Underdeck clamp |
| -41 | Sump receiver |

| | |
|------------|---|
| -42 | ABS perforated standpipe |
| -50 | Lacquered cast iron funnel |
| -90 | Threaded side outlet (2", 3", 4") |
| -90NH | No hub side outlet (2", 3", 4") |
| -95 | Client logo |
| -BA | Minimum 51% material cost made in the USA |
| -FA | 4" Round funnel |
| -F6 | 6" Round funnel |
| -G | Oval 4" x 9" funnel |
| -HP | Heel proof grate (1/4" maximum grate opening size, -3 only) |
| -J | 6" x 3" x 1" funnel |
| (Standard) | No hub outlet |
| -MG | MI-GARD Floor Drain Trap Sealer (2", 3" or 4") |
| -P | Push on outlet |
| -PA | Pennsylvania Steel Act compliant product |
| -T | Threaded outlet (2", 3", 4") |
| -X | Inside caulk outlet |
| -Z | Extended wide elastomeric flange |

CALIFORNIA PROPOSITION 65 WARNING. This product contains chemicals known to the State of California to cause cancer and birth defects or other reproductive harm.

Job Name: _____ Page No: _____
 Section No: _____ Contractor: _____
 Schedule No: _____ Purchase Order No: _____