

Location: _____

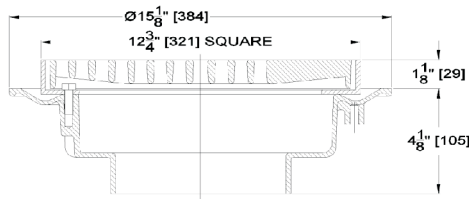
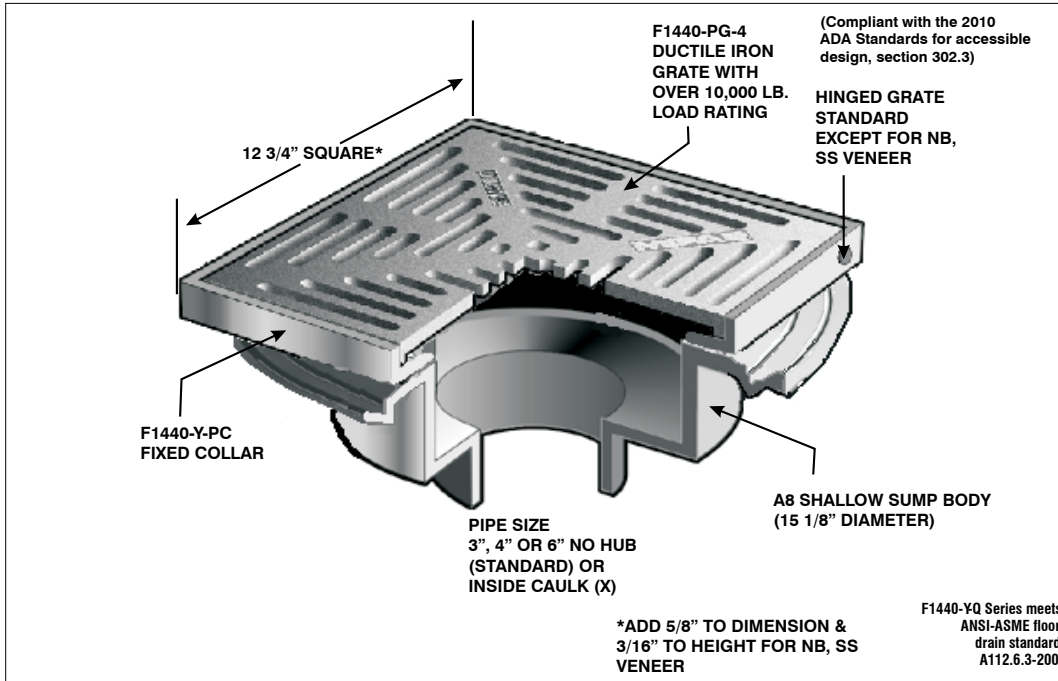


F1440-Y-Q

FLOOR DRAIN WITH 12" SQUARE NON ADJUSTABLE TRACTOR GRATE

Specification: MIFAB® Series F1440-Y-Q, lacquered cast iron shallow sump floor drain with anchor flange and non adjustable grate top assembly with standard 1" (25) thick, 12" square, (specify material finish) tractor grate.

Function: Used in heavy traffic areas such as parking garages, factories and loading docks. Shallow body is ideal for poured in place concrete decks where space is limited.



PIPE SIZE	BODY HEIGHT	
	NO HUB (STANDARD)	INSIDE CAULK (X)
3" (76)	4 1/8" (105)	4 1/2" (114)
4" (102)	4 1/8" (105)	4 1/2" (114)
6" (152)	4 1/8" (105)	4 1/2" (114)

- | SUFFIX | OPTIONAL VARIATIONS |
|--------|--|
| -1 | Nickel bronze strainer (vener) |
| -3 | Stainless steel strainer (vener) |
| -4 | Ductile iron strainer |
| -5 | Sediment bucket |
| -6 | Security screws (T-20 Torx & pin) |
| -7 | 1/2" trap seal primer connection |
| -8 | Backwater valve (2", 3", 4") |
| -11 | Acid resistant epoxy coated body |
| -12 | Galvanized top assembly |
| -13 | Galvanized body |
| -15 | Extension |
| -21 | Secondary flat stainless steel strainer (2", 3", 4") |
| -28 | Stainless steel body (Type 304) |
| -30 | PVC socket connection body |
| -31 | ABS socket connection body |
| -34 | Closure plug |
| -40 | Underdeck clamp |

- | SUFFIX | OPTIONAL VARIATIONS |
|------------|---|
| -41 | Sump receiver |
| -50 | Lacquered cast iron funnel |
| -90 | Threaded side outlet (2", 3", 4") |
| -90NH | No hub side outlet (2", 3", 4") |
| -95 | Client logo |
| -BA | Buy American Act compliant product |
| -F4 | 4" Round funnel |
| -F6 | 6" Round funnel |
| -G | Oval 4" x 9" funnel |
| -HP | Heel proof grate (1/4" maximum grate opening size, -3 only) |
| -J | 6" x 3" x 1" funnel |
| (Standard) | No hub outlet |
| -MG | MI-GARD Floor Drain Trap Sealer (2", 3" or 4") |
| -PA | Pennsylvania Steel Act compliant product |
| X | Inside caulk outlet |
| -Z | Extended wide elastomeric flange |

CALIFORNIA PROPOSITION 65 WARNING. This product contains chemicals known to the State of California to cause cancer and birth defects or other reproductive harm.

Job Name: _____ Page No: _____

Section No: _____ Contractor: _____

Schedule No: _____ Purchase Order No: _____