

Location: \_\_\_\_\_

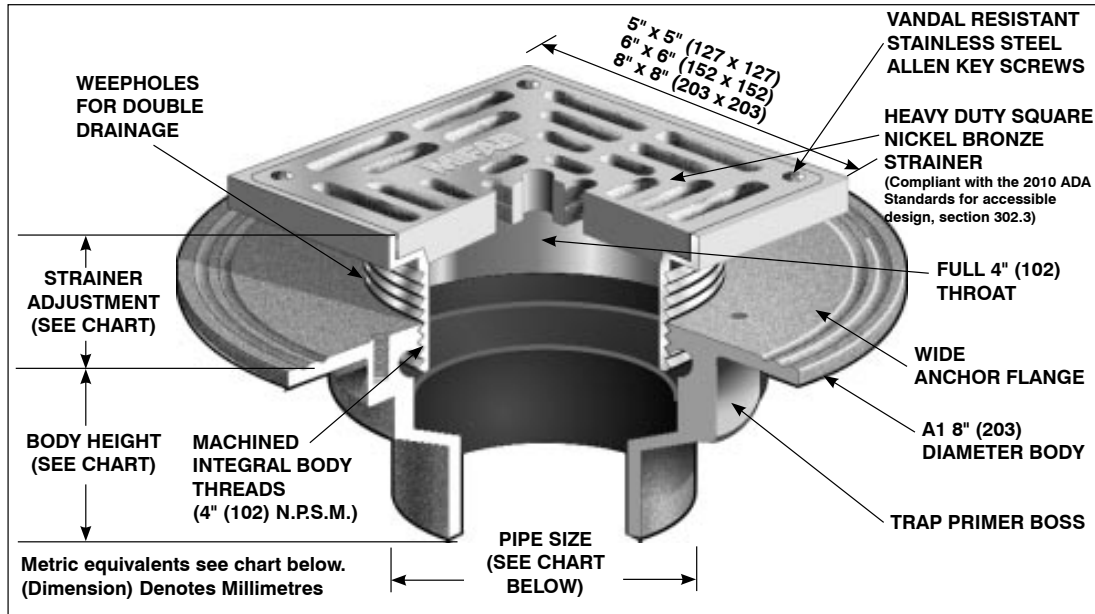


# F1100-XS

## SQUARE FLOOR DRAIN WITH HEAVY DUTY STRAINER FOR NON-MEMBRANE FLOOR AREAS

**Specification:** MIFAB® Series F1100-XS lacquered cast iron floor drain with anchor flange, weepholes, and heavy duty, (specify size) square (specify strainer finish) strainer. (For membrane floors, use MIFAB F1100-C-XS Series.)

**Function:** Used in showers, kitchens, restrooms and other non-membrane finished areas where heavy wheeled loads are expected and a heavy duty rated strainer is required. Square adjustable strainer is used for floors that are finished of material or straight line patterns.



**PARTS:**



A1 BODY



XS(\*)-(\*\*)

(\*) Denotes Strainer Size (5"x5", 6"x6", 8"x8" or 10"x10")  
 (\*\*) Denotes Strainer Finish (-1, -3 or -4)

F1100-XS Series meets ANSI-ASME floor drain standard A112.6.3-2001

STRAINER SIZE	STRAINER ADJUSTMENT		ANSI/ASME RATING				PIPE SIZE	BODY HEIGHT				
			FREE AREA	LOAD RATING				NO HUB (STANDARD)	PUSH ON (P)	THREADED (T)	INSIDE CAULK (X)	PVC/ABS (-30)/(-31)
				N.B. (-1)	S.S. (-3)	D.I. (-4)						
5" x 5" (127 x 127)	5/8" (15)	1 9/16" (40)	9 in <sup>2</sup> (5800 <sup>2</sup> )	UP TO 7499 LBS.	5000- 7499 LBS.	--	2" (51) 3" (76)	3" (76) 3" (76)	3 3/8" (86) 3 3/8" (86)	2 1/4" (57) 2 5/8" (67)	3 3/4" (95) 3 3/4" (95)	2 15/16" (75) 3 3/4" (95)
6" x 6" (152 x 152)	7/8" (22)	1 9/16" (40)	12 in <sup>2</sup> (7700 <sup>2</sup> )	UP TO 7499 LBS.	5000- 7499 LBS.	--	4" (102) 5" (127)	3" (76) 3" (76)	3 3/8" (86) --	2 5/8" (67) 2 5/8" (67)	3 3/4" (95) 3 3/4" (95)	3 3/4" (95) --
8" x 8" (203 x 203)	1 1/4" (32)	2 3/16" (56)	26 in <sup>2</sup> (16800 <sup>2</sup> )	UP TO 7499 LBS.	5000- 7499 LBS.	OVER 10000 LBS.	6" (152)	3 1/4" (83)	6 1/2" (165)	--	--	--
10" x 10" (254 x 254)	1 1/4" (32)	2 3/16" (56)	28 in <sup>2</sup> (19913 <sup>2</sup> )	--	5000-7499 LBS.	--						

**SUFFIX OPTIONAL VARIATIONS**

- 1 Nickel bronze strainer (standard)
- 3 Stainless steel strainer
- 4 Ductile iron strainer (5", 8" only)
- 5 Sediment bucket
- 6 Security screws (T-20 Torx & pin)
- 7 1/2" trap seal primer connection
- 8 Backwater valve (2", 3", 4")
- 11 Acid resistant epoxy coated body
- 13 Galvanized body
- 15 Extension
- 21 Secondary flat stainless steel strainer (2", 3", 4")
- 28 Stainless steel body (Type 304)
- 30 PVC socket connection body
- 31 ABS socket connection body
- 34 Closure plug
- 40 Underdeck clamp
- 41 Sump receiver
- 49 Chrome plated strainer

**SUFFIX OPTIONAL VARIATIONS**

- 50 Lacquered cast iron funnel
- 90 Threaded side outlet (2", 3", 4") (cast iron only)
- 90NH No hub side outlet (2", 3", 4") (cast iron only)
- 95 Client logo
- BA Buy American Act compliant product
- C Membrane clamp for low roughin (min. 1/2" (13))
- C2 High rough-in membrane clamp (min. 1 9/16" (40))
- F4 4" Round funnel
- F6 6" Round funnel
- (Standard) No hub outlet
- G Oval 4" x 9" funnel
- J 6" x 3" x 1" funnel
- MG MI-GARD Floor Drain Trap Sealer (2", 3" or 4")
- P Push on outlet
- PA Pennsylvania Steel Act compliant product
- T Threaded outlet (2", 3", 4")
- X Inside caulk outlet
- Z Extended wide elastomeric flange

CALIFORNIA PROPOSITION 65 WARNING. This product contains chemicals known to the State of California to cause cancer and birth defects or other reproductive harm.

Job Name: \_\_\_\_\_ Page No: \_\_\_\_\_  
 Section No: \_\_\_\_\_ Contractor: \_\_\_\_\_  
 Schedule No: \_\_\_\_\_ Purchase Order No: \_\_\_\_\_