

Location: _____

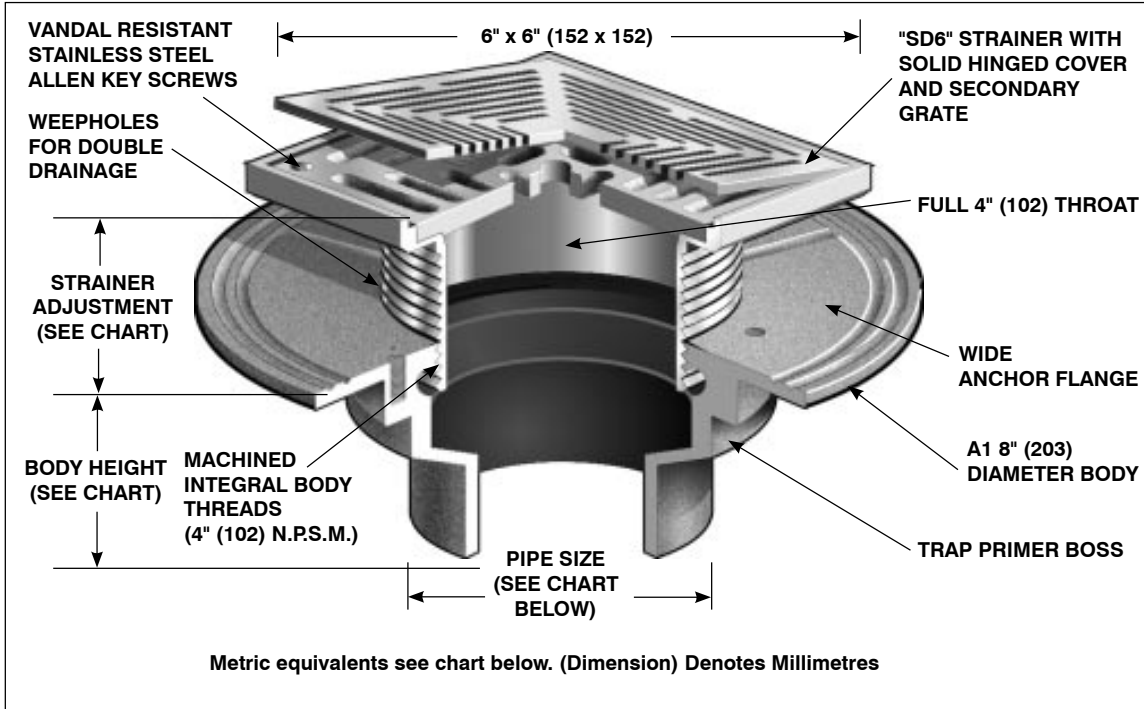


F1100-SD


FLOOR DRAIN WITH SQUARE SOLID HINGED COVER FOR NON-MEMBRANE FLOOR AREAS

Specification: MIFAB® Series F1100-SD lacquered cast iron floor drain with anchor flange, weepholes, and standard reinforced, ("SD6") square 6" x 6" (152 x 152) (specify material finish) strainer with solid hinged cover and secondary grate. (For membrane floors, use MIFAB F1100-C-SD Series.)


Function: Used in showers, kitchens, restrooms and other non-membrane finished areas where infrequent drain use is required. The solid cover prevents debris from entering the drain which should be cleaned up before washdown. Square adjustable strainer is used for floors that are finished of material or straight line patterns.



PARTS:



A1 BODY



SD6-(*)
(* Denotes Strainer Finish (-1 or -3))

F1100-C-SD Series meets ANSI-ASME floor drain standard A112.6.3-2001

STRAINER SIZE	STRAINER ADJUSTMENT		ANSI/ASME RATING		PIPE SIZE	BODY HEIGHT				
	MIN	MAX	FREE AREA	LOAD RATING N.B. (-1)		NO HUB (STANDARD)	PUSH ON (P)	THREADED (T)	INSIDE CAULK (X)	PVC/ABS (-30)/(-31)
6" x 6" (152 x 152)	15/16" (24)	1 7/8" (48)	12 in ² (7700 ²)	UP TO 2,000 LBS.	2" (51)	3" (76)	3 3/8" (86)	2 1/4" (57)	3 3/4" (95)	2 15/16" (75)
					3" (76)	3" (76)	3 3/8" (86)	2 5/8" (67)	3 3/4" (95)	3 3/4" (95)
					4" (102)	3" (76)	3 3/8" (86)	2 5/8" (67)	3 3/4" (95)	3 3/4" (95)
					5" (127)	3" (76)	--	2 5/8" (67)	3 3/4" (95)	--
					6" (152)	3 1/4" (83)	6 1/2" (165)	--	--	--

- SUFFIX OPTIONAL VARIATIONS**
- 1 Nickel bronze strainer
 - 3 Stainless steel strainer
 - 5 Sediment bucket
 - 6 Security screws (T-20 Torx & pin)
 - 7 1/2" trap seal primer connection
 - 8 Backwater valve (2", 3", 4")
 - 11 Acid resistant epoxy coated body
 - 13 Galvanized body
 - 15 Extension
 - 21 Secondary flat stainless steel strainer (2", 3", 4")
 - 28 Stainless steel body (Type 304)
 - 30 PVC socket connection body
 - 31 ABS socket connection body
 - 34 Closure plug
 - 40 Underdeck clamp

- SUFFIX OPTIONAL VARIATIONS**
- 41 Sump receiver
 - 49 Chrome Plated Strainer
 - 90 Threaded side outlet (2", 3", 4") (cast iron only)
 - 90NH No hub side outlet (2", 3", 4") (cast iron only)
 - 95 Client logo
 - BA Buy American Act compliant product
 - C Membrane clamp for low rough-in (min. 1/2" (13))
 - C2 High rough-in membrane clamp (min. 1 9/16" (40))
 - (Standard) No hub outlet
 - MG MI-GARD Floor Drain Trap Sealer (2", 3" or 4")
 - P Push on outlet
 - PA Pennsylvania Steel Act compliant product
 - T Threaded outlet (2", 3", 4")
 - X Inside caulk outlet
 - Z Extended wide elastomeric flange

CALIFORNIA PROPOSITION 65 WARNING. This product contains chemicals known to the State of California to cause cancer and birth defects or other reproductive harm.

Job Name: _____ Page No: _____

Section No: _____ Contractor: _____

Schedule No: _____ Purchase Order No: _____