

Location: _____



CXP

RUBBER SUPPORT SERIES

Specification:

Dimensions - see chart

Material

Base - 100% recycled rubber, UV resistant

Maximum Load

CXP - 500 lbs.

CXP-2 - 800 lbs.



Environmentally Friendly
made from
100% recycled tires

Function: The CXP Series supports provide an economic alternative. They are ideal for supporting conduit or pipe. Strut and clamps by others.

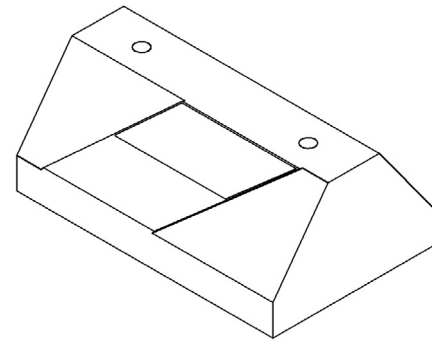


U.S. Patent
No. 7,866,093



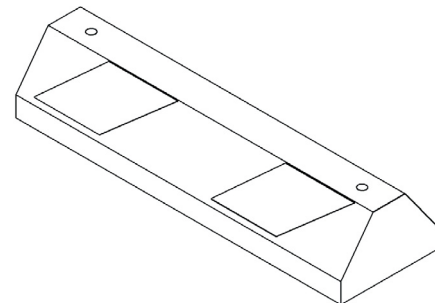
CXP illustrated. Pipe clamp by others.

CXP



Pipe strap clamps for CXP
sold separately.

CXP-2



MODEL NO.	HEIGHT (H)	WIDTH (W)	LENGTH (L)	WEIGHT	LIST PRICE	CRATE QUANTITY
CXP	4" (102)	6" (152)	9.6" (244)	4.56 lbs.	\$18.50	340
CXP-2	4" (102)	6" (152)	22" (559)	10.84 lbs.	\$44.00	170

CALIFORNIA PROPOSITION 65 WARNING. This product contains chemicals known to the State of California to cause cancer and birth defects or other reproductive harm.

Job Name: _____
Section No: _____
Schedule No: _____

Page No: _____
Contractor: _____
Purchase Order No: _____