

Location: \_\_\_\_\_



**CE**

**EXTENSION SERIES**

**Specification:**

**Dimensions**

Base - 4" Height x 6" Width x 9.6" Length Overall height as specified in chart

**Material**

Base - 100% recycled rubber, UV resistant

Strut - 14 gauge galvanized steel (1 5/8" wide x 13/16" tall)

Rod - Two 1/2" electro zinc plated all threaded rod risers

**Maximum Load** - 400 lbs.



**Environmentally Friendly**  
made from  
**100% recycled tires**

**Function:** The CE Series is designed for extended support of gas and refrigeration piping systems, cable tray, electrical conduit, multiple lines, HVAC equipment and many other applications. It is suitable for most types of roofing material or other flat surfaces.

**Installation Instructions:** The rubber bases can be directly placed on the roof surface. Adjust the crossbeam by loosening the nuts and adjust the strut to desired height and re-tighten nuts. Space the bases according to local plumbing/gas code.

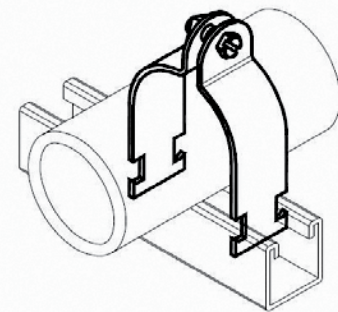
A wide range of pipe claps and straps can be used with this support.



Note: CE10-8 illustrated. Pipe clamp by others.

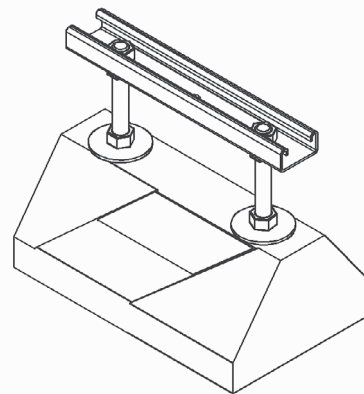
Consult with roofing consultant for allowable loads.

U.S. Patent No. 7,866,093



Strut clamps sold separately.

**CE10-8**



MODEL NO.	HEIGHT (H)	WIDTH (W)	LENGTH (L)	WEIGHT
<b>CE10-8</b>	8" (203)	6" (152)	9.6" (244)	6.14 lbs.
<b>CE10-12</b>	12" (305)	6" (152)	9.6" (244)	6.50 lbs.

Channel also available in corrosion resistant stainless steel or aluminum.

CALIFORNIA PROPOSITION 65 WARNING. This product contains chemicals known to the State of California to cause cancer and birth defects or other reproductive harm.

Job Name: \_\_\_\_\_ Page No: \_\_\_\_\_  
 Section No: \_\_\_\_\_ Contractor: \_\_\_\_\_  
 Schedule No: \_\_\_\_\_ Purchase Order No: \_\_\_\_\_