

Location: _____



CEW

WIDEBODY EXTENSION SERIES

Specification:

Dimensions

Base - 2 1/2" Height x 12" Width x 12" Length

Overall height as specified in chart

Material

Base - 100% recycled rubber, UV resistant

Strut - 14 gauge galvanized steel (1 5/8" wide x 13/16" tall)

Rod - Two 1/2" electro zinc plated all threaded rod risers

Maximum Load - 800 lbs.



**Environmentally Friendly
made from
100% recycled tires**



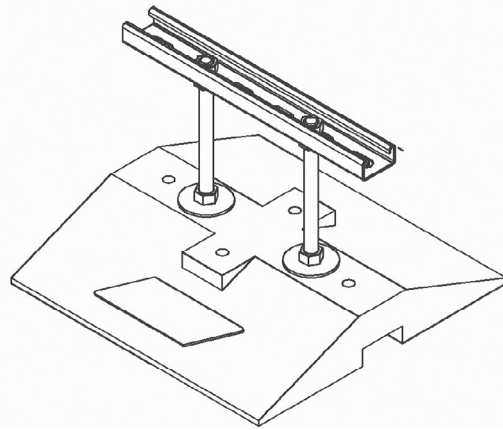
Consult with roofing consultant for allowable loads.

Function: The CEW Series is designed for extended support of gas and refrigeration piping systems, cable tray, electrical conduit, multiple lines, HVAC equipment and many other applications. The wide-bodied base provides additional stability. It is suitable for most types of roofing material or other flat surfaces.

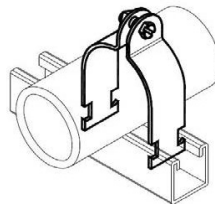
Installation Instructions: The rubber bases can be directly placed on approved roof surfaces. Adjust the crossbeam by loosening the nuts and adjust the strut to desired height and re-tighten nuts. Space the bases according to local plumbing/gas code.



CESWX24-2424 illustrated. Pipe hangers by others.



CEW12-8



Strut Clamps sold separately.

| MODEL NO. | HEIGHT (H) | WIDTH (W) | LENGTH (L) | WEIGHT |
|-----------|------------|-----------|------------|------------|
| CEW12-8 | 8" (203) | 12" (305) | 12" (305) | 10.50 lbs. |
| CEW12-12 | 12" (305) | 12" (305) | 12" (305) | 10.90 lbs. |
| CEW12-16 | 16" (406) | 12" (305) | 12" (305) | 11.20 lbs. |
| CEW12-24 | 24" (610) | 12" (305) | 12" (305) | 11.45 lbs. |

Channel also available in corrosion resistant stainless steel or aluminum.

CALIFORNIA PROPOSITION 65 WARNING. This product contains chemicals known to the State of California to cause cancer and birth defects or other reproductive harm.

Job Name: _____

Page No: _____

Section No: _____

Contractor: _____

Schedule No: _____

Purchase Order No: _____