

Location: _____



CESHW

WIDEBODY HEAVY LOAD SERIES

Specification:

Dimensions

Base - 12" Width x 12" Length

Material

Rubber Base - 100% recycled rubber, UV resistant

Base Strut - 14 gauge galvanized steel

Crossbeam - 1 5/8" x 3 1/4", 12 gauge galvanized steel, back to back strut

Upright - 1 5/8" x 1 5/8", 12 gauge galvanized steel strut

Maximum Load - 1,200 lbs.



**Environmentally Friendly
made from
100% recycled tires**

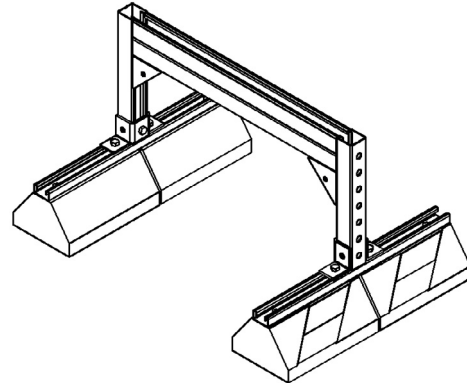
Function: The CESHW Series can support gas and refrigeration piping systems, cable tray, electrical conduit, multiple lines, HVAC equipment and many other applications. It is designed for rooftop applications requiring a heavier load bearing, and is suitable for most types of roofing material or other flat surfaces.



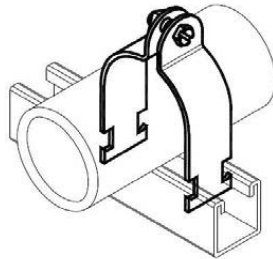
Consult with roofing consultant for allowable loads.



CESHW-1624 illustrated.



CESHW-1624 illustrated. Pipe clamp by others.



Strut Clamps sold separately.

MODEL NO.	HEIGHT (H)	WIDTH (W)	BASE HEIGHT & WIDTH	WEIGHT
CESHW-1624	16" (406)	24" (610)	12" (305)	37 lbs.
CESHW-1636	16" (406)	36" (914)	12" (305)	39 lbs.

Channel also available in corrosion resistant stainless steel or aluminum.

CALIFORNIA PROPOSITION 65 WARNING. This product contains chemicals known to the State of California to cause cancer and birth defects or other reproductive harm.

Job Name: _____

Page No: _____

Section No: _____

Contractor: _____

Schedule No: _____

Purchase Order No: _____