

Location: \_\_\_\_\_

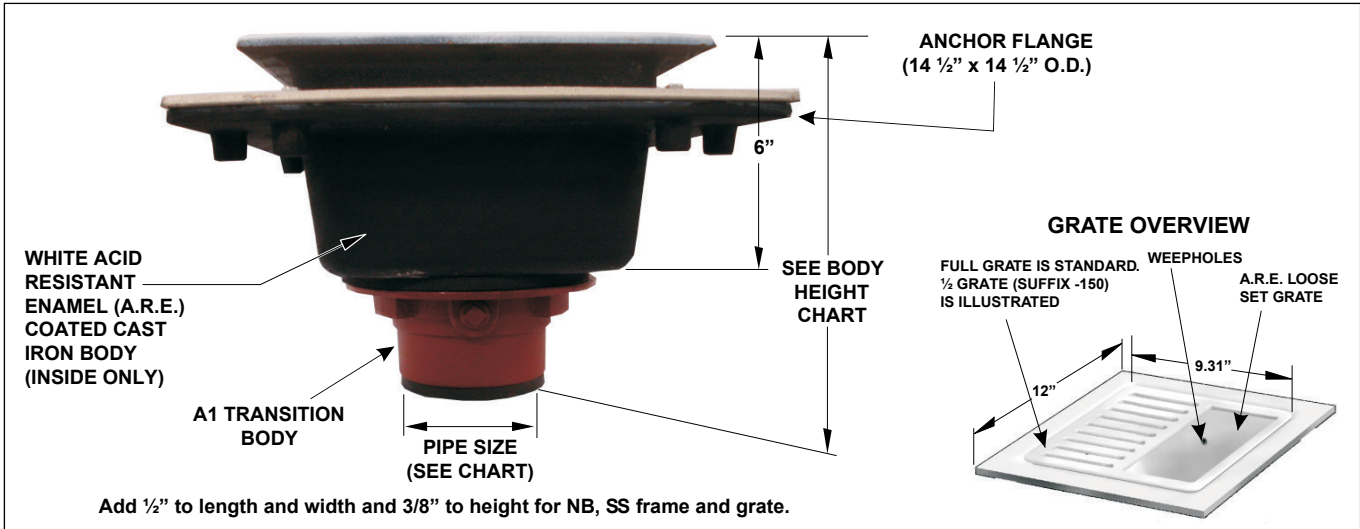


**FS1720-FL-TB**

**12" X 12" X 6" FLOOR AREA AND INDIRECT  
SANITARY WASTE DRAIN WITH FLANGE**

**Specification:** MIFAB Series FS1720-FL-TB, 12" x 12" x 6" deep cast iron floor area and indirect sanitary waste drain complete with white acid resistant porcelain enamel coated interior and loose set grate and anchor flange with weepholes. Anti-splash aluminum dome strainer included.

**Function:** Used in kitchens, restaurants, grocery stores, hospitals, schools, and other areas that require a large volume sanitary drain. The anchor flange is engineered to receive water proofing membrane. Membrane clamps are recommended for use with the anchor flange (Suffix -C). The light duty grate is not suitable for foot traffic. The floor sink body is made with a 4" NPSM threaded connection so that any one of MIFAB's A1 bodies can be threaded onto the underside of the body with a water sealing gasket between the underside of the floor sink and the A1 body.



| PIPE SIZE | BODY HEIGHT       |               |                  |               |                       |
|-----------|-------------------|---------------|------------------|---------------|-----------------------|
|           | NO HUB (STANDARD) | PUSH ON (P)   | INSIDE CAULK (X) | THREADED (T)  | PVC (-30) / ABS (-31) |
| 2" (51)   | *8 1/2" (216)     | *8 7/8" (225) | *10" (254)       | *8 1/2" (216) | *9 1/4" (235)         |
| 3" (76)   | *8 1/2" (216)     | *8 7/8" (225) | *10" (254)       | *8 7/8" (225) | *9 1/4" (235)         |
| 4" (102)  | *8 1/2" (216)     | *8 7/8" (225) | **8 5/8" (219)   | *8 7/8" (225) | *9 1/4" (235)         |

\*Indicates outlet size and connection available with transition outlet body only.

\*\*4" Inside Caulk connection not available with a transition outlet body. One piece body only. Outlet sizes indicated by the \* are available with the transition outlet body only

| Suffix        | Description                                      |
|---------------|--|
| -1            | Nickel bronze frame and grate                    |
| -3            | Stainless steel frame and grate                  |
| -5            | Sediment bucket                                  |
| -6            | Security screws (1, -3 only, T-20 Torx and pin)  |
| -7            | 1/2" trap seal primer connection                 |
| -8            | Backwater valve (2", 3" or 4" only)              |
| -9            | Hinged grate (-3 only)                           |
| -21           | Secondary flat stainless steel strainer          |
| -22           | Less grate                                       |
| see FS1920-FL | Stainless steel body (Type 304)                  |
| see FS1920-FL | Stainless steel body (Type 316)                  |
| -30           | PVC outlet                                       |
| -31           | ABS outlet                                       |
| -32           | Deep seal trap with flushing connection          |
| -50           | A.R.E. coated cast iron funnel                   |
| -51           | 2 1/2" round center hole in grate (-1, -3 only)  |
| -69           | Stainless steel sediment bucket                  |
| -83           | Stainless steel mesh screen over sediment bucket |

|            |  |
|------------|--|
| -90        | Threaded side outlet                             |
| -90NH      | No hub side outlet                               |
| -95        | Client logo (-1, -3 only)                        |
| -150       | 1/2 grate  |
| -175       | 3/4 grate  |
| -BA        | Buy American Act compliant product               |
| (Standard) | No hub outlet                                    |
| -C         | Membrane clamp with hardware                     |
| -F4        | 4" round funnel                                  |
| -F6        | 6" round funnel                                  |
| -FL        | Anchor flange                                    |
| -G         | 4" x 9" oval funnel                              |
| -J         | 3" x 1" oval funnel                              |
| -P         | Push on outlet                                   |
| -PA        | Pennsylvania Steel Act compliant product         |
| -T         | Threaded outlet                                  |
| X          | Inside caulk outlet                              |
| -Z         | Extended wide elastomeric flange (with -FL only) |

CALIFORNIA PROPOSITION 65 WARNING. This product contains chemicals known to the State of California to cause cancer and birth defects or other reproductive harm.

Job Name: \_\_\_\_\_ Page No: \_\_\_\_\_  
 Section No: \_\_\_\_\_ Contractor: \_\_\_\_\_  
 Schedule No: \_\_\_\_\_ Purchase Order No: \_\_\_\_\_