

Location: _____

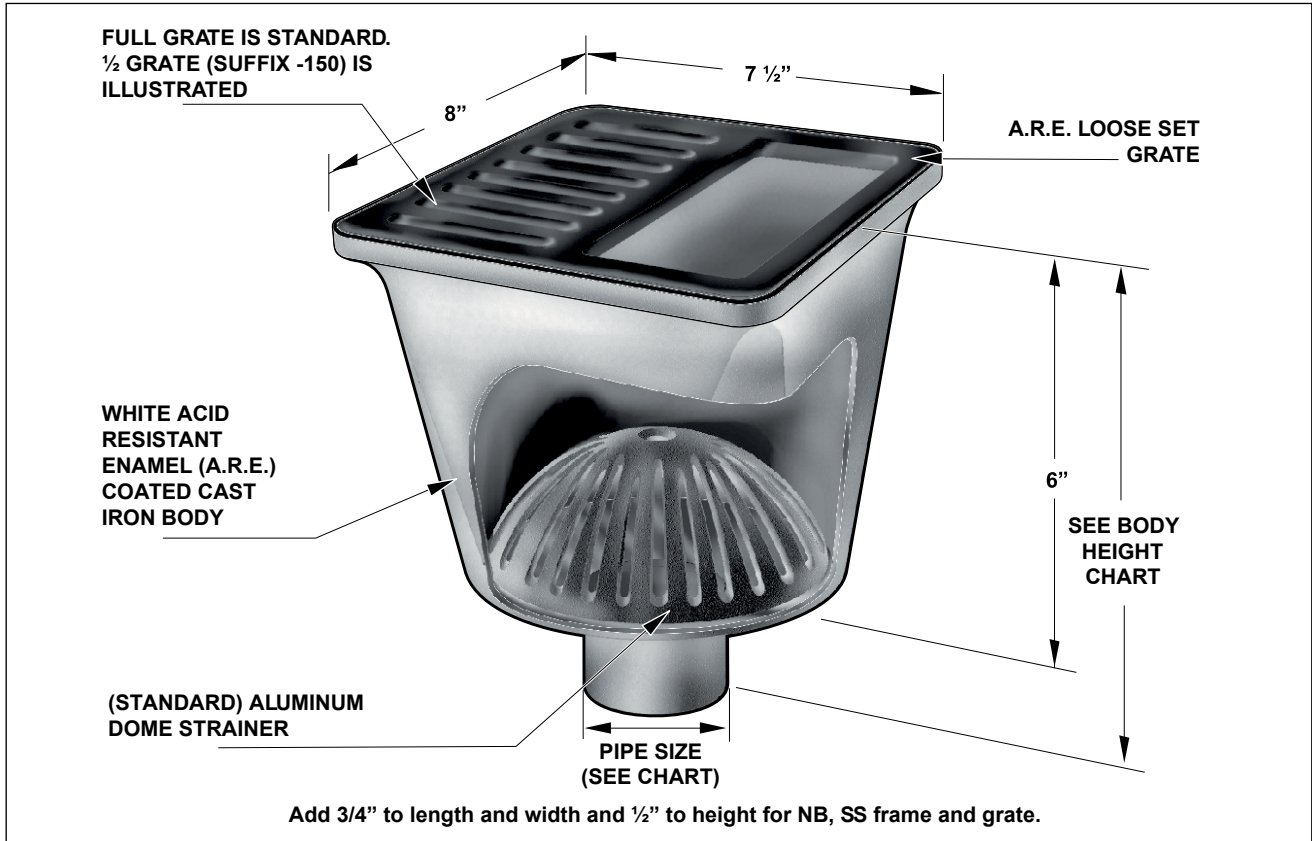


FS520

8" x 8" x 6" FLOOR AREA AND INDIRECT SANITARY WASTE DRAIN

Specification: MIFAB® Series FS520, 8" x 8" x 6" deep cast iron floor area and indirect sanitary waste drain complete with white acid resistant porcelain enamel coated interior and loose set grate. Anti-splash aluminum dome strainer included.

Function: Used in kitchens, restaurants, grocery stores, hospitals, schools, and other areas that require a medium volume sanitary drain. The light duty grate is not recommended for foot traffic.



*Indicates outlet size and connection available with transition outlet body only

**4" Inside Caulk Outlet body only available with -FL anchor flange Outlet sizes indicated by the * are available with the transition outlet body only.

PIPE SIZE	BODY HEIGHT		
	NO HUB (STANDARD)	PUSH ON (P)	INSIDE CAULX (X)
2" (51)	7 3/4" (197)	*9 5/8" (244)	*10" (254)
3" (76)	7 3/4" (197)	7 3/4" (197)	*10" (254)
4" (102)	*9 1/4" (235)	*9 5/8" (244)	**8 5/8" (219)

Suffix	Description
-22	Less Stainless Steel grate (deduct)
-150	1/2 grate
-175	3/4 grate
(Standard)	No hub outlet
X	Inside caulk outlet

CALIFORNIA PROPOSITION 65 WARNING. This product contains chemicals known to the State of California to cause cancer and birth defects or other reproductive harm.

Job Name: _____ Page No: _____
 Section No: _____ Contractor: _____
 Schedule No: _____ Purchase Order No: _____